

Model:
TWT-93D-6-HC

Deep Worktop:
Solid Door Refrigerator with Hydrocarbon Refrigerant

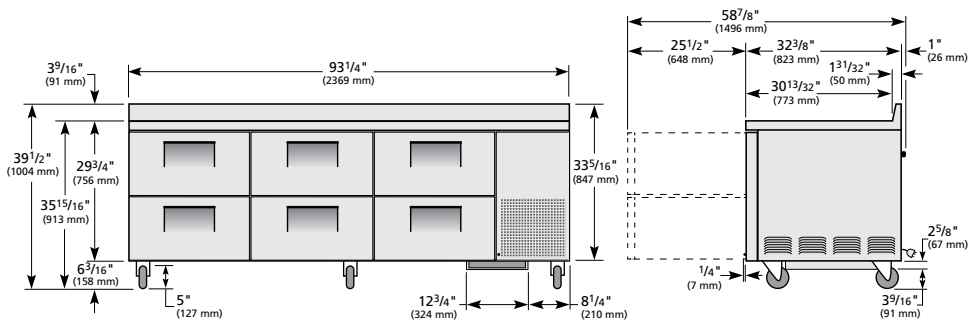
TWT-93D-6-HC

- ▶ True's worktop units are designed with enduring quality that protects your long term investment.
- ▶ Designed using the highest quality materials and components to provide the user with colder product temperatures, lower utility costs, exceptional food safety and the best value in today's food service marketplace.
- ▶ Factory engineered, self-contained, capillary tube system using environmentally friendly R290 hydro carbon refrigerant that has zero (0) ozone depletion potential (ODP), & three (3) global warming potential (GWP)
- ▶ High capacity forced air refrigeration system that holds temperature of 0.5°C to 3.3°C for the best in food preservation.
- ▶ All stainless steel front, top and ends. Matching aluminum finished back. Top and backsplash are one piece formed construction. Bacteria and food particles cannot be trapped underneath as with other two-piece worktop units.
- ▶ Interior - attractive, NSF approved, clear coated aluminum liner. Stainless steel floor with coved corners.
- ▶ Front breathing.
- ▶ Adjustable, heavy duty PVC coated shelves.
- ▶ Foamed-in-place using a high density, environmentally friendly polyurethane insulation.
- ▶ Each drawer accommodates one (1) 2/1GN (L650mm x D530 x H200 mm) food pan (sold separately).



NOTE: Door or drawer assemblies can be located in any section of the cabinet. Location of doors/drawers must be indicated at time of ordering.

PLAN VIEW



ROUGH-IN DATA

Voltage: 220-240V/50-60Hz

Specifications subject to change without notice. Chart dimensions rounded up to the next whole millimeter (inches rounded up to the next 1/8").

Model	Model Type	Doors/Drawers	Shelves	Cabinet Dimensions (mm)			Net Volumes (litres)	EEC	EEI	24 hr/ Energy Consumption (kWh)	Annual Energy Consumption (kWh)	Crated Weight (kg)
				W	D †	H						
TWT-93D-6-HC	Counter Chilled	0/6	-	2373	822	999	307	B	36,4	2,570	938	309

† Depth does not include 26 mm for rear bumpers. Depth does not include an additional 7mm for front bumper on deep units.
Test Standard: EN16825 - Climate Class 5 (40°C, 40% relative humidity).