



**TRUE REFRIGERATION
INTERNATIONAL**

UK Tel +44(0)1709 88080 • Germany Tel +49(0)7622 68830
Australia Tel +61 2 9618 9999 • www.truemfg.com

Model:
TBR60-PTSZ1-L-B-GG-GG-2

**True Bar Refrigerator:
Glassdoor Pass-Thru Single Zone Refrigerator**



05/21



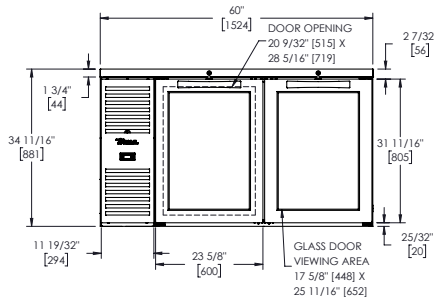
FEATURES

- ▶ R290 Hydrocarbon refrigerant.
- ▶ Temperatures of 33°F to 38°F (.5°C to 3.3°C)
- ▶ Exterior: Black powder coated cold rolled steel with stainless steel countertop
- ▶ Interior: Stainless steel
- ▶ Low-E, double pane thermal insulated glass doors
- ▶ RCU Technology
- ▶ White LED interior lighting
- ▶ NSF/ANSI standard 7 compliant for open food product
- ▶ Three (3) interior access ports
- ▶ Field reversible doors / UL Rated for outdoor use
- ▶ Zero clearance / Front air intake / front air discharge
- ▶ Electronic temperature control with exterior digital display

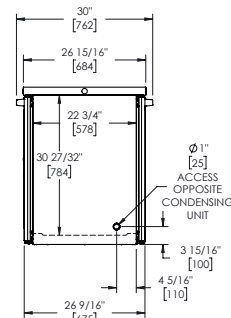
OPTIONS

- ▶ TruLumina® 14-Color LED lighting
- ▶ Castors: 23 mm rollers, 51mm, 77mm, 102mm, 127mm castors
- ▶ 153mm legs
- ▶ 153mm seismic legs
- ▶ Alternative temperature zones available (contact factory)
- ▶ Right side compressor

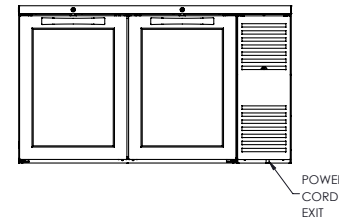
PLAN VIEW



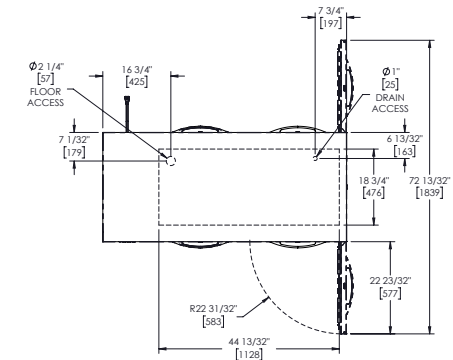
FRONT VIEW



SIDE VIEW



BACK VIEW



TOP VIEW

ROUGH-IN DATA

Specifications subject to change without notice. Chart dimensions rounded up to the nearest whole millimeter

Model	Doors	Shelves	Shelf dimensions (WxD mm)	Cabinet Dimensions (mm)			220-240V/50-60Hz		Crated Weight (kg)
				W	D†	H*	AMP	HP	
TBR60-PTSZ1-L-B-GG-GG-2	2 fr / 2 bk	6	551 x 458	1524	684	881	3,2	1/4	180

† Depth does not include 35 mm for both door handles. * Height does not include 7 mm for leg levelers